

HGL Isolator

product selection

name	Derived model	current	poles	Operation mode	Auxiliary contact	Observation window	Double cut switch structure type
HGL	Z	16	3	J	11	K	C
	default: single switch Z: double cut switch i, K series	16; 16A cut ... 3150; 3150A	3; 3P 4; 4P	default: In - cabinet operation J: out - cabinet operation	default : without auxiliary 11 : with a pair of auxiliary 22 : with two pairs of auxiliary	default without Observation window K : with Observation window T : Transparent	default: up down type C: left right type

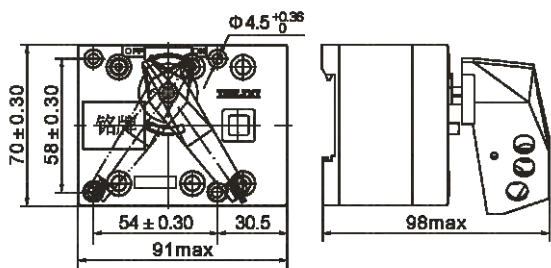


Technical Parameters

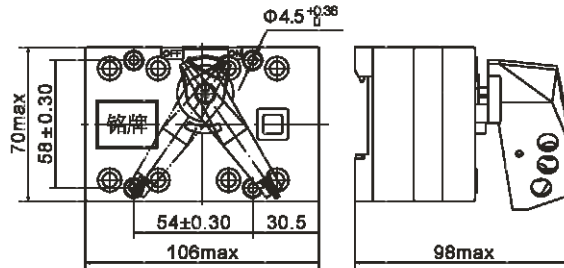
current	A	63 (16, 25, 32, 40) , 100 (80) , 160 (125) , 250 (200) , 630 (315, 400, 500) , 1600 (800, 1000, 1250) , 3150 (2000, 2500)
voltage	V	400, 690
standard		GB/T 14048.3 IEC 60947-3
certificate		CCC

Shape and size

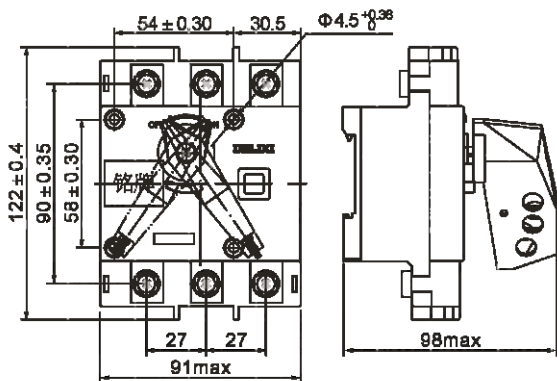
HGL, HGLi-16~63/3 Isolation switch



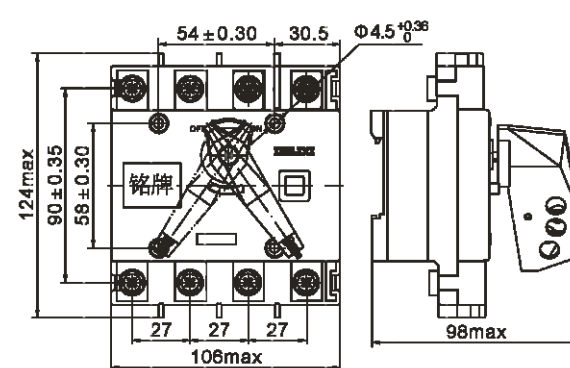
HGL, HGLi-16~63/4 Isolation switch



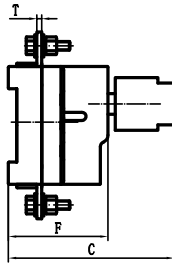
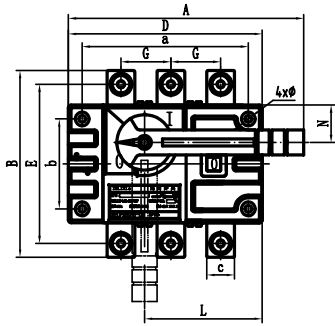
HGL, HGLi-80~100/3 Isolation switch



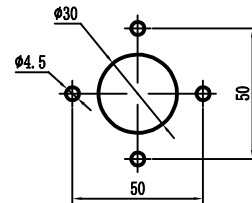
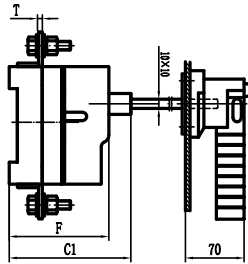
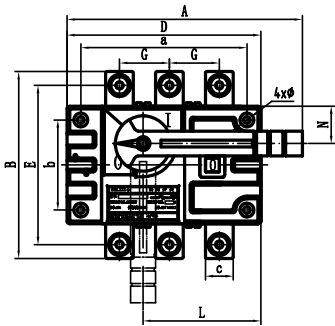
HGL, HGLi-80~100 Isolation switch



HGL、HGLi-125~630A Isolation switch



HGL、HGLi-125~630A Installation dimensions of the isolating switch in the cabinet



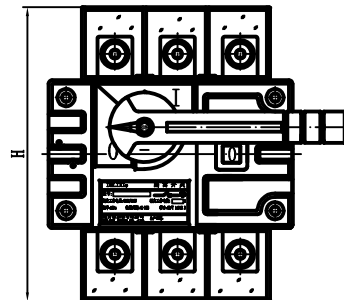
HGL、HGLi-125~630隔离开关柜外手柄安装尺寸

HGL、HGLi-125~630A Installation dimensions of the isolating switch out of the cabinet

spec HGL、HGLi- 125A~630A	Size and installation dimensions														
	A	B	C	C1	D	E	F	G	L	N	a	b	c	T	φ
125A/3	170	135	120	92	140	115	72	36	85	27	120	65	20	3.5	5
125A/4	200	135	120	92	170	115	72	36	85	27	150	65	20	3.5	5
160A/3	170	135	120	92	140	115	72	36	85	27	120	65	20	3.5	5
160A/4	200	135	120	92	170	115	72	36	85	27	150	65	20	3.5	5
250A/3	180	170	136	98	180	140	85	50	115	35	160	90	25	3.5	6.2
250A/4	230	170	136	98	230	140	85	50	115	35	210	90	25	3.5	6.2
400A/3	230	240	175	135	230	206	116	65	145	50	210	140	32(400)	5(400)	7
630A/3	230	260	175	135	230	220	116	65	145	50	210	140	32(400)	5(400)	7
400A/4	290	240	175	135	290	206	116	65	145	50	270	140	40(630)	6(630)	7
630A/4	290	260	175	135	290	220	116	65	145	50	270	140	40(630)	6(630)	7

spec	H
HGL、HGLi-160/3	169
HGL、HGLi-160/4	169
HGL、HGLi-250/3	200
HGL、HGLi-250/4	200
HGL、HGLi-400、630/3	270
HGL、HGLi-400、630/4	270

Note: The other dimensions are consistent with those of HGL, HGLi-125~630 isolating switches

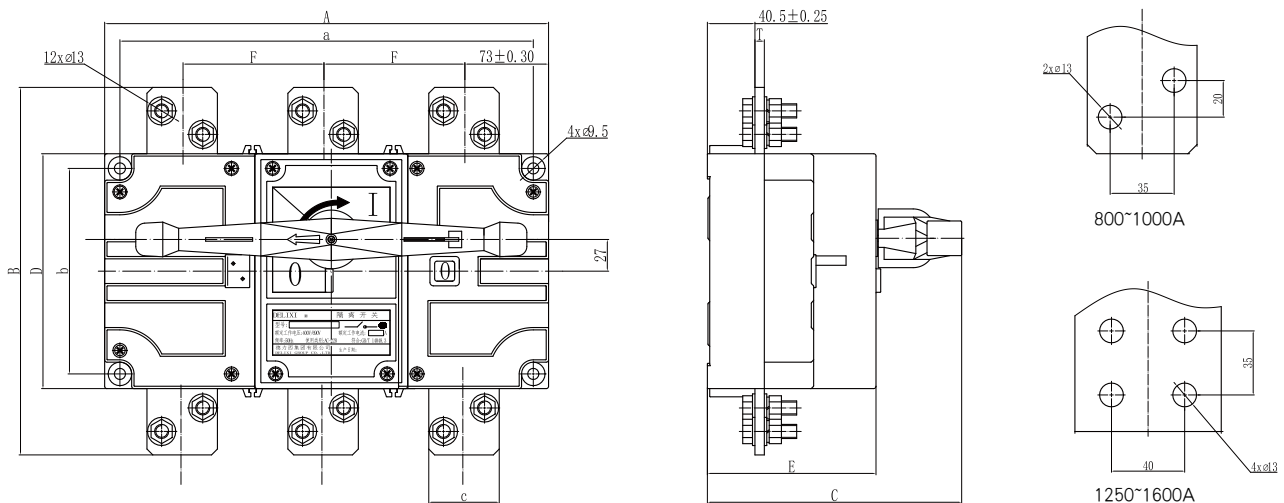


HGL、HGLi-125~630 Isolation switch terminal protection cover

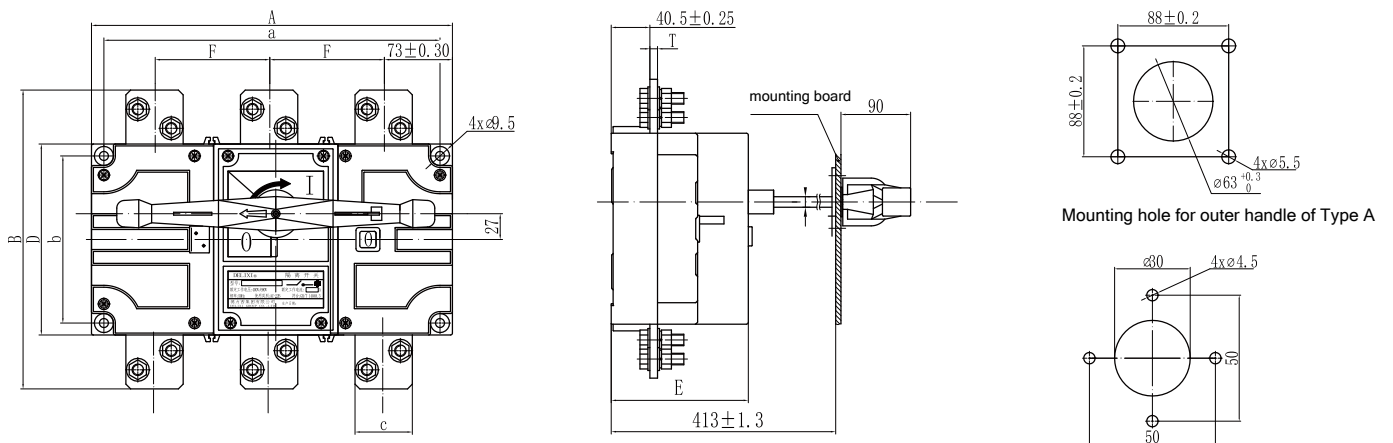


HGL Isolation switch

HGL, HGLi-800~1600A Isolation switch



HGL, HGLi-800~1600A Isolation switch



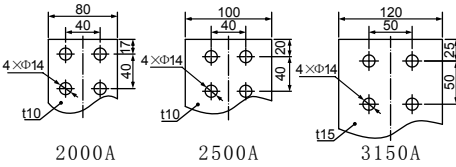
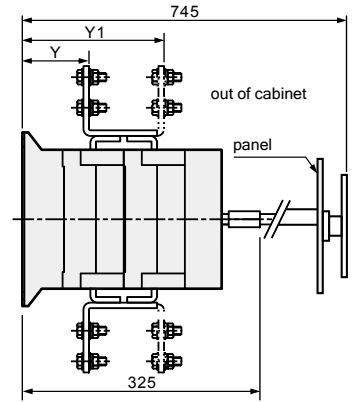
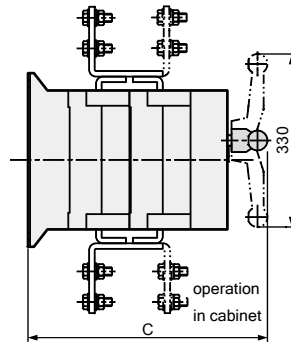
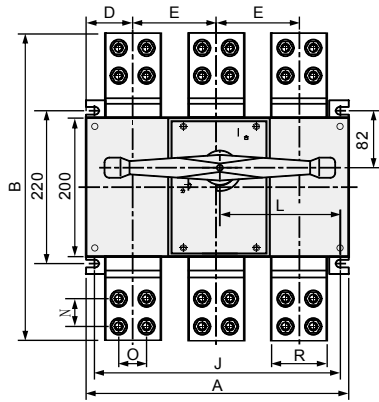
HGL, HGLi-1000(800)~1600 Isolation switch out of cabinet

Mounting hole for outer handle of Type B

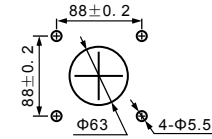
Note: The standard connecting rod length is 300mm

型号规格	A	B	C	D	E	F	a	b	c	T
HGL, HGLi-1000(800)/3	378	313	222	200	143	120	352	175	60	8
HGL, HGLi-1000(800)/4	490	313	222	200	143	120	465	175	60	8
HGL, HGLi-1250/3	378	356	222	200	143	120	352	175	80	8
HGL, HGLi-1250/4	490	356	222	200	143	120	465	175	80	8
HGL, HGLi-1600/3	378	356	222	200	143	120	352	175	80	10
HGL, HGLi-1600/4	490	356	222	200	143	120	465	175	80	10

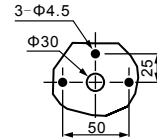
HGL-2000~3150A Isolation switch



Dimensional drawing of panel installation of operating handle outside the cabinet



A-type cabinet outer handle seat installation dimensions



B-type cabinet outer handle seat installation dimensions

Note: 1. The total length of A-type handle is 405, and the total length of B-type handle is 330

2. Generally, it is A-type handle, if B-type handle is required, it can be customized separately

current	HGL-2000、2500/3150 Isolation installation dimensions inside and outside the cabinet (mm)											
	A	B	C	D	E	L	J	N	O	R	Y	Y1
2000A/3	378	440	365	65	120	173.5	352	40	40	80	100.4	200.5
2500A/3	378	470	365	65	120	173.5	352	40	40	100	100.5	200.5
3150A/3	383	534	365	56	130	173.5	352	50	50	120	94.5	211.5
2000A/4	493	440	365	60	120	235	467	40	40	80	100.5	200.5
2500A/4	493	470	365	60	120	235	467	40	40	100	100.5	200.5
3150A/4	503	534	365	50	130	235	467	50	50	120	94.5	211.5

