

F3 power switch

HY2 reversing switch



Selection guide

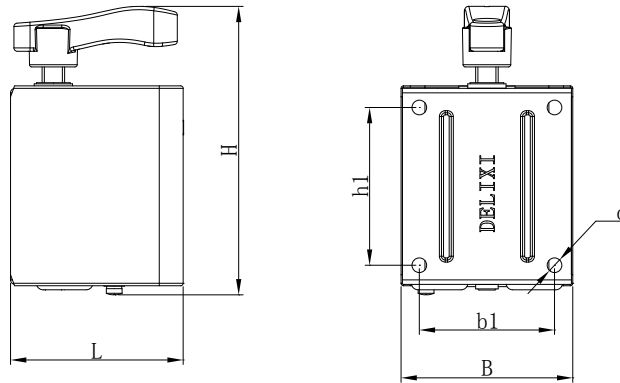
Product name	Rated working current
HY2	□
	15:7A
	30:12A
	60:20A

Technical parameter

Type specification	HY2-15	HY2-30	HY2-60
Agreed heating current (I _{th}) A	15	30	60
Rated operating current (I _e) A	7	12	20
Rated working power kW	U _e =380V	3	5.5
	U _e =220V	1.8	3
National standard	GB14048.3		
Certification certificate	CCC		



Shape and mounting size (mm)



Model	Overall dimension			Mounting dimension		
	L	B	H	h1	b1	d
HY2-15	78	78	130	70	60	Φ6.5
HY2-30/60	90	88	150	80	64	Φ7

Wiring diagram

