

# F5 Motor controller

## JD1A Electromagnetic speed control motor controller



### Selection guide

Product name	Control motor maximum power
JD1A	<input type="checkbox"/>
	11: 11kW
	40: 40kW
	90: 90kW

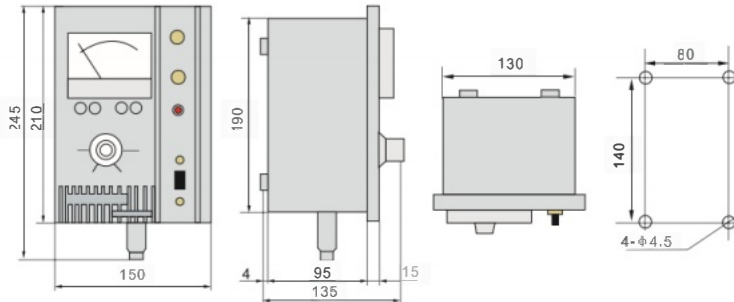
### Product characteristics

Plastic case seal, with IP5X dust rating, can be used for panel insert or wall mounted, bottom wire entry

### Technical parameter

Product model	JD1A-11	JD1A-40	JD1A-90
Supply voltage	Ac 220V±10%, frequency 50Hz		
Rated output rating	DC90V 3.15A	DC90V 5A	DC90V 6.5A
Motor power can be controlled	0.55-11kW	15-40kW	45-90kW
Tachometer generator	Single-phase or three-phase voltage speed ratio 2V/100min		
Rate of change of speed	≤3%		
Speed stability accuracy	≤1%		
Speed range	1420-100RPM	1420-100RPM	1420-130RPM
National standard	National standard JBT7123		

### Dimensions and mounting dimensions (mm)



### Wiring diagram

