



Summarize

CDPZ30s series distribution lighting box, suitable for apartments, villas, hotels, commercial buildings and other places. It is used with the modular low-voltage power distribution products of Delixi Electric to provide a safe, stable and complete indoor low-voltage terminal power distribution solution for developers, factories and end users.

Product selection

CDPZ30s terminal lighting distribution box

Product name	loop	single and double row	Sheet thickness
CDPZ30s	R	D	12
M: open installation R: dark installation	4:4 loop 6:6 loop 8:8 loop 10:10 Loop 12:12 Loop 15:15 Loop 18:18 Loop 20:20 Loop	24:24 Loop 30:30 Loop 36:36 Loop The 20 loop and 24 loop are double-row by default Single-row specification suffix with "D"	J: 4-20 loop single row 0.8mm; 20 loop double row - 80 loop 1.0mm 12:1.2mm



Main parameter	Rated operating voltage
Rated operating voltage	230/400V AC
Maximum rated operating current	100A
Clear door	Open up 150°
Box material	>Transparent door using flame retardant PC plastic, fire retardant spontaneous combustion, color is brown (PAL8001)&gt; The panel is made of cold-rolled steel plate with electrostatic spray on the surface, which is strong and corrosion-resistant. Color is milky white (RAL9003) > The bottom box is made of cold-rolled steel plate with inner hem design. The surface is treated with electrostatic spray, which is durable and has excellent corrosion resistance.
Installation and wiring	> Bottom box with knock down holes, easy to enter and exit lines. >There is a distance between the bottom box and the guide rail to meet the customer's bottom wiring requirements >The guide depth can be fine-tuned in the vertical direction for accurate installation
Meet the standard	GB/T 17466.1,GB/T 17466.24
Class of protection	IP30

Attachment

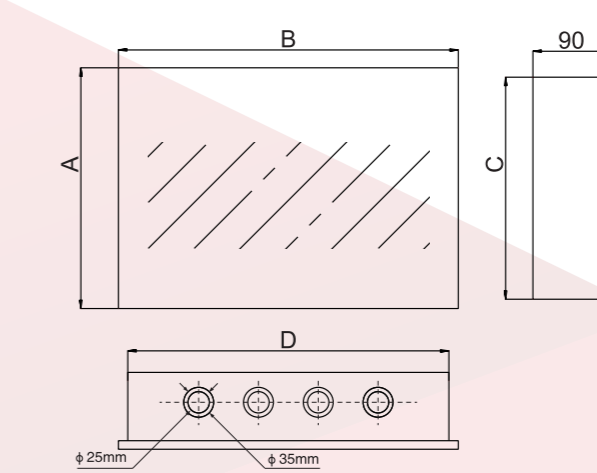
Row number	Digit	Concealed (R) - Order number		
		Thickness0.8mm	Thickness1.0mm	Thickness1.2mm
Single row	4	CDPZ30SR4J	CDPZ30SR4	CDPZ30SR412
	6	CDPZ30SR6J	CDPZ30SR6	CDPZ30SR612
	8	CDPZ30SR8J	CDPZ30SR8	CDPZ30SR812
	10	CDPZ30SR10J	CDPZ30SR10	CDPZ30SR1012
	12	CDPZ30SR12J	CDPZ30SR12	CDPZ30SR1212
	15	CDPZ30SR15J	CDPZ30SR15	CDPZ30SR1512
	18	CDPZ30SR18J	CDPZ30SR18	CDPZ30SR1812
	20	CDPZ30SR20DJ	CDPZ30SR20D	CDPZ30SR20D12
Double row	24	/	CDPZ30SR24DJ	CDPZ30SR24D12
	20	/	CDPZ30SR20J	CDPZ30SR2012
	24	/	CDPZ30SR24J	CDPZ30SR2412
	30	/	CDPZ30SR30J	CDPZ30SR3012
	36	/	CDPZ30SR36J	CDPZ30SR3612
	40	/	CDPZ30SR40J	CDPZ30SR4012
	45	/	CDPZ30SR45J	CDPZ30SR4512
	Three rows	54	/	CDPZ30SR54J
60		/	CDPZ30SR60J	CDPZ30SR6012
Four rows	72	/	CDPZ30SR72J	CDPZ30SR7212
	80	/	CDPZ30SR80J	CDPZ30SR8012

Row number	Digit	Plain (M)- Order number		
		Thickness0.8mm	Thickness1.0mm	Thickness1.2mm
Single row	4	CDPZ30SM4J	CDPZ30SM4	CDPZ30SM412
	6	CDPZ30SM6J	CDPZ30SM6	CDPZ30SM612
	8	CDPZ30SM8J	CDPZ30SM8	CDPZ30SM812
	10	CDPZ30SM10J	CDPZ30SM10	CDPZ30SM1012
	12	CDPZ30SM12J	CDPZ30SM12	CDPZ30SM1212
	15	CDPZ30SM15J	CDPZ30SM15	CDPZ30SM1512
	18	CDPZ30SM18J	CDPZ30SM18	CDPZ30SM1812
	20	CDPZ30SM20DJ	CDPZ30SM20D	CDPZ30SM20D12
Double row	24	/	CDPZ30SM24DJ	CDPZ30SM24D12
	20	/	CDPZ30SM20J	CDPZ30SM2012
	24	/	CDPZ30SM24J	CDPZ30SM2412
	30	/	CDPZ30SM30J	CDPZ30SM3012
	36	/	CDPZ30SM36J	CDPZ30SM3612
	40	/	CDPZ30SM40J	CDPZ30SM4012
	45	/	CDPZ30SM45J	CDPZ30SM4512
	Three rows	54	/	CDPZ30SM54J
60		/	CDPZ30SM60J	CDPZ30SM6012
Four rows	72	/	CDPZ30SM72J	CDPZ30SM7212
	80	/	CDPZ30SM80J	CDPZ30SM8012

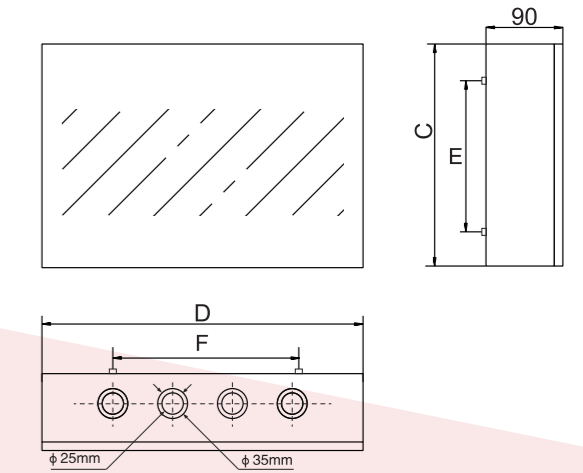
Outline and mounting dimensions

Unit: mm

Concealed installation



Surface Installation



Mounting size table

Row number	Digit	Concealed panel size mm		Open (dark) box size mm		Dimensions of mounting holes mm		Zero Number of terminal holes And size mm	Number of terminal holes on the floor And size mm	Floor block terminal comments
		A	B	C	D	E	F			
Single row	4	175	155	150	130	90	70	/	/	/
	6	225	198	200	173	105	83			
	8	225	245	200	220	105	130			
	10	285	289	260	264	150	138	(1*φ6+5*φ5)*1	(1*φ6+5*φ5)*1	Ten and one 6 holes *1
	12	285	325	260	300	150	174			
	15	285	379	260	354	150	227	(1*φ6+8*φ5)*1	(1*φ6+8*φ5)*1	Ten and one 9 holes *1
	18	285	433	260	408	150	282			
	20	285	469	260	444	150	318			
Double row	24	285	540	260	516	150	390			
	20	485	289	460	264	350	138			
	24	485	325	460	300	350	174	(1*φ6+8*φ5)*2	(1*φ6+5*φ5)*2	Two zero 9 holes *1; Two places 6 holes 1
	30	485	379	460	354	350	227			
	36	485	433	460	408	350	282			
	40	485	469	460	444	350	318			
	45	690	378	665	354	555	227			
	Three rows	54	690	430	665	408	555	282	(1*φ6+8*φ5)*2 (1*φ6+5*φ5)*3	(1*φ6+5*φ5)*5
60		690	468	665	444	555	318			
Four rows	72	895	432	870	408	760	282	(1*φ6+8*φ5)*2 (1*φ6+5*φ5)*5	(1*φ6+5*φ5)*7	Two zero 9 holes *1; Two places 6 holes 1 Ten and one, six holes and five roots
	80	895	468	870	444	760	318			