

■ Main Function

Isolation, on-off resistance and inductance mixed load

GB/T14048.3 IEC60947-3

Rated working voltage (V)	1P: AC230V; 2P/3P/4P: AC400V
Rated Current (A)	20, 25, 32, 40, 63, 80, 100, 125A
Rated Frequency (Hz)	50/60Hz
Pole	1P/2P/3P/4P
Using Type	AC-22A
Short-time Withstand Current I_{cw}	20Ie, 1s

Mechanical Characteristic

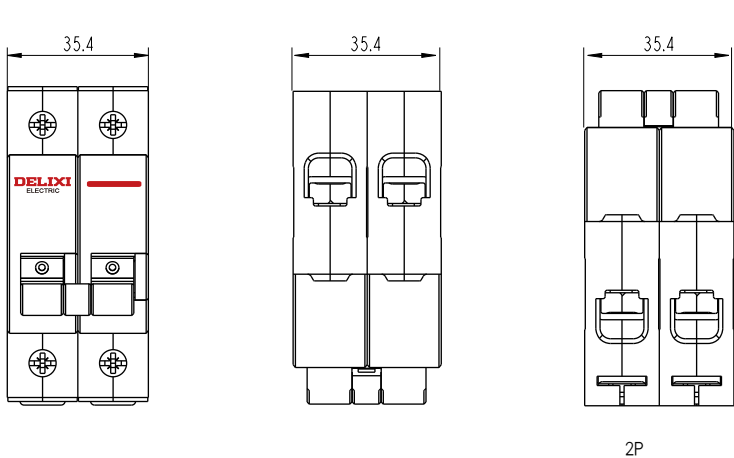
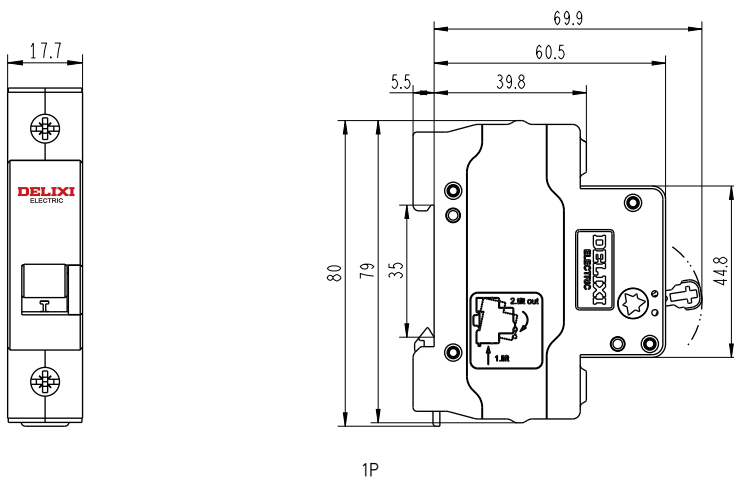
Mechanical life	10000	Resistance to moisture and heat (IEC 60068-2)	°C /RH	Type 2, 28 times circle
Electrical life	3000			Tem.55°C,Relative Humidity 90%~96%
Class of protection	IP40	Basic Ambient Temperature	°C	Tem.25°C,Relative Humidity 95%~100%
Resistance to	IP20			30°C
mechanical shock	30g,3time shock, lasting time 11ms (no obvious vibration or shock)	Using Ambient Temperature		-35°C ~+70°C
	No obvious vibration or shock	Storage Temperature		-40°C ~+85°C
Anti-vibration(IEC/EN 60068-2-6)				

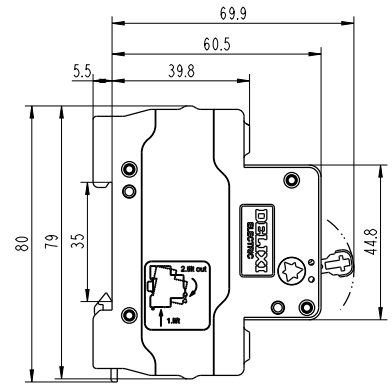
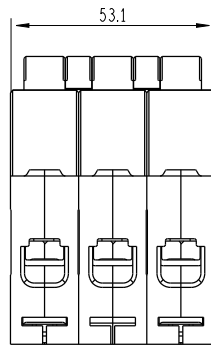
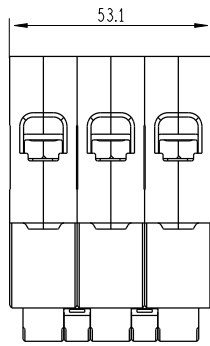
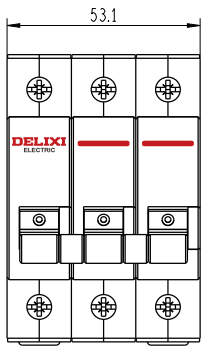
Installation Characteristic

Wiring terminal type	Tunnel terminal	Tool	Phillips screwdriver or flat-head screwdriver
Max wiring capacity	50mm ²	Installation	Installed in standard DIN rail (35mm)
Max limiting twist distance	3.5N.m	Incoming method	Up and Down

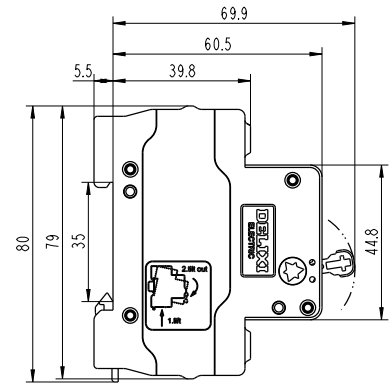
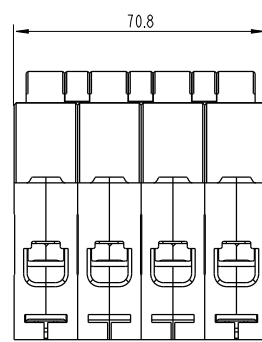
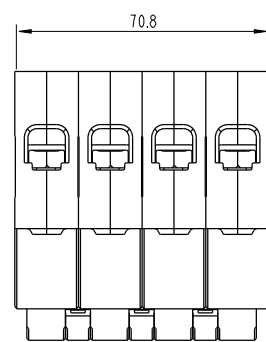
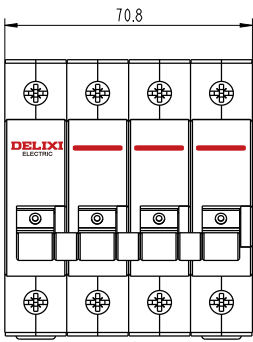
Outline and Installation Dimension

Dimension Diagram





3P

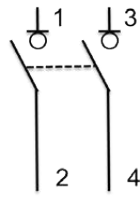


4P

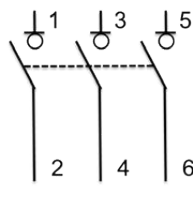
■ Wiring Diagram



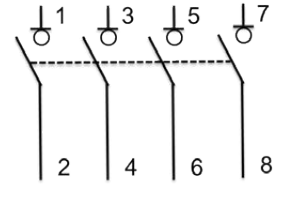
1P



2P



3P



4P