



# DZ47X User Manual



Please carefully read this User Manual before installing and operating the product, and keep this manual properly for future reference.

## Table of Contents

1 Main Purposes and Scope of Application.....	1
2 Product Feature, Model and Its Meanings.....	1
2.1 Product features.....	1
2.2 Product model and its meanings.....	1
3 Normal Working Conditions and Installation Conditions.....	1
4 Normal Storage and Transportation Conditions.....	2
5 Basic Specifications and Parameters.....	2
6 Outline and Installation Dimensions.....	2
7 Outline and Installation Dimensions.....	3
8 Maintenance and Service.....	5
9 Unpacking Inspection.....	5
10 Company' commitment.....	5

## 1 Main Purposes and Scope of Application

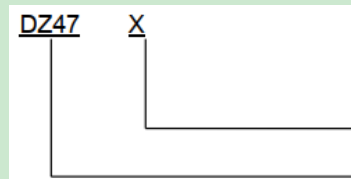
DZ47X series frame socket is primarily used in the AC 50Hz circuit with the rated operating voltage 250V/440V and with the rated operating current of not greater than 25A.

## 2 Product Feature, Model and Its Meanings

### 2.1 Product features

a) Prevent the unipolar insertion;

### 2.2 Product model and its meanings



Product code  
Miniature circuit breaker series

## 3 Normal Working Conditions and Installation Conditions

a) The ambient air temperature is not higher than +40°C and not lower than -5°C, and the mean value within 24 hours does not exceed +35°C;

Note: If the socket is used in the environment where the ambient air temperature is higher than +40°C and lower than -5°C, please contact the manufacturer.

b) The altitude at the installation site does not exceed 2000m;

c) The relative humidity of the atmosphere air does not exceed 50% at the max. ambient temperature of +40°C, and a higher relative humidity is allowed at lower temperatures, such as 90% at 20°C. Protective measures are taken for condensations occurred occasionally due to the temperature changes;

d) The installation position should be vertical, and the inclination angle in each direction should not exceed 10°;

Installed in a place where there is no shock vibration and no rain or snow attack;

Special structures may be required in places with special conditions, such as on ships, on vehicles, and in hazardous locations where explosions may occur;

TH35-7.5 steel mounting rail is used;

e) Pollution degree: Level 3;

f) Installation category: Class III;

g) Pollution degree: Level 3;

h) Installation category: Class II, Class III;

i) Protection grade: IP20 (IP40 if installed in a power distribution tank, and a power distribution cabinet or box).

#### 4 Normal Storage and Transportation Conditions

- a) The lower limit of temperature shall not be less than  $-25^{\circ}\text{C}$ , and the upper limit shall not exceed  $+55^{\circ}\text{C}$ ;
- b) Relative humidity (at  $25^{\circ}\text{C}$ ) does not exceed 95%;
- c) Please handle the product gently during transportation, and do not upside it down and prevent severe collision.

#### 5 Basic Specifications and Parameters

Basic specifications and parameters see Table 1.

Type	Rated voltage	Rated current
2P	250V	10A
2P + Earthing	250V	10A, 16A
2P/2P + Earthing	250V	10, 10A/16A
3P + Earthing	440V	16A, 25A

#### 6 Outline and Installation Dimensions

The outline and installation dimensions are illustrated in Fig. 1

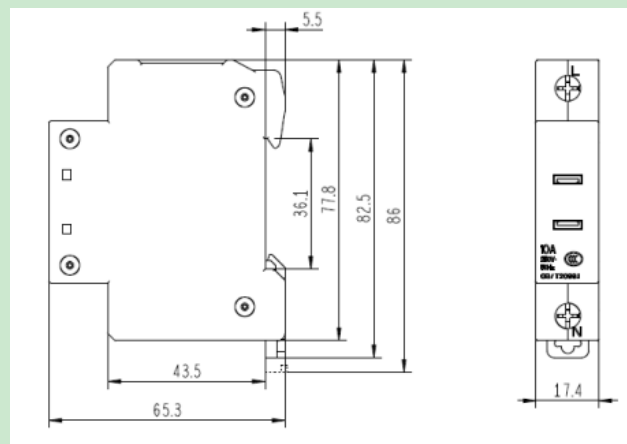


Fig. 1-a 2P 10A

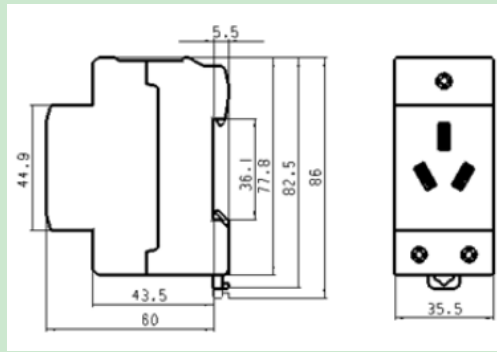


Fig. 1-b 2P + Earthing 10A, 16A

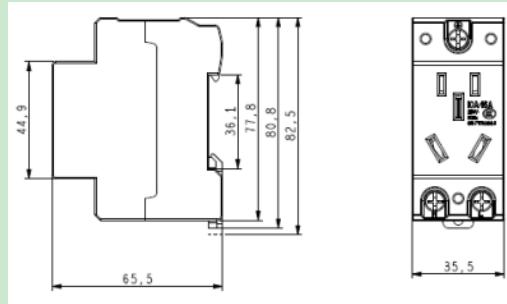


Fig. 1-c 2P/2P + Earthing 10A, 10/16A

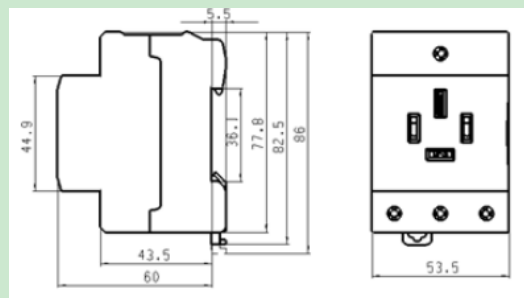


Fig. 1-d 3P + Earthing 16A

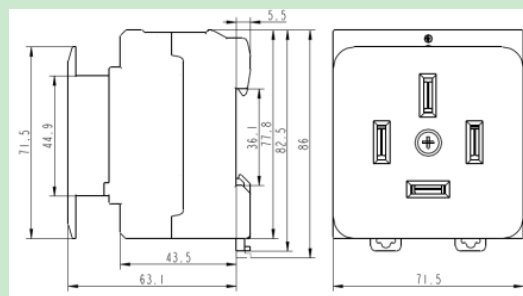


Fig. 1-e 3P + Earthing 25A

## 7 Installation and Operation (Maintenance)

a) When installing this series of sockets, please check whether the basic technical parameters marked on the housing meet the application requirements;

b) This series of sockets are of the rail mounted type. The installation method is described as follows:

For 3P + Earthing 25A product, in order to prevent unsafe hidden dangers caused by mis-insertion, the following installation method shall be available:

- 1) Loosen the screw located at the center of the socket, and take the protective cover, as shown in Fig. 3-a;
- 2) Insert the socket body into the guide rail of the power distribution box, and close the power distribution box panel;
- 3) Install the protective cover of the socket, and tighten the screw; the installation effect is shown in Fig. 3-b:

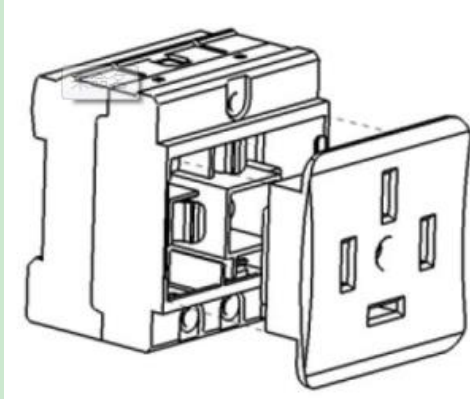


Fig. 3-a Remove protective cover

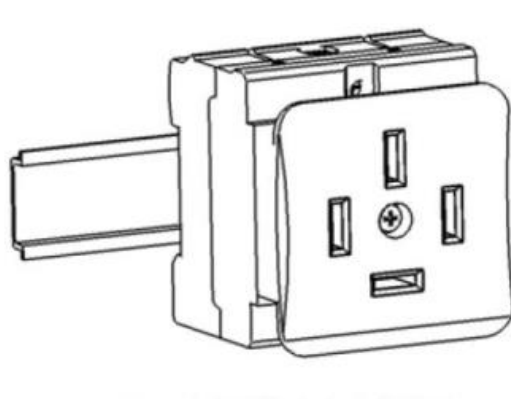


Fig. 3-b Insert the socket base into the power distribution box, and then fix the protective cover with screws

c) This series of sockets must be used together with the standard plug of the same rated current specification.

d) The cross-sectional area of the connecting conductor should be adapted to the rated current of the socket, as shown in Table 2:

Table 2: Rated currents and the cross-sectional areas of connected conductors

Rated current A	10A	16A	25A
Cross-sectional area of wire, mm <sup>2</sup>	1.5	2.5	4
Min. length of the connecting wire, m	1	1	1

Note: The 10/16A product is wired according to the specifications of the 16A product.

## 8 Maintenance and Service

- a) This series of sockets is generally maintenance-free, but the surface shall be kept clean;
- b) Please check whether the insulating part is kept clean every six months;

## 9 Unpacking Inspection

After unpacking, please check the product for damage, the exposed metal for rust, and the product for defects caused by poor transportation or storage. If found any of above situations, please stop the product, and contact the supplier timely for solution.

## 10 Company' commitment

The free repair or replacement will be provided by the company for damage or abnormal operation of the product produced by our company due to poor manufacturing quality within 36 months from the date of the production under the premise that the user conforms to the operation and storage conditions and that the product is well sealed. A paid repair is provided when the warranty period expires. However, the paid repair is provided for damage caused by one of the following situations even within the warranty period:

- a) Poor operation, maintenance, or storage;
- b) Modification without permission, or improper maintenance;
- c) Damage caused by falling off after purchase or occurred during the installation process;
- d) Irresistible nature disasters such as earthquakes, fires, lightning strikes, and abnormal voltages.

Please contact the dealer or the company's customer service department if you have any questions. Customer service hotline: 400-826-8008



### Certificate

**DELIXI ELECTRIC LTD**

Name: Frame socket series

Model: DZ47X

This product passes the inspection and is allowed to be shipped.

Standard: GB/T2099.1

Inspector: Check 50

Date of production: See the label on the inner box

**德力西电气有限公司**  
**DELIXI ELECTRIC LTD**

Address: Delixi High-Tech Industrial Park, Liush Town, Yueqing City, Zhejiang Province P.C.: 325604  
Tel: (86-577) 61778888  
Fax: (86-577) 61778000  
Customer service hotline: 400-826-8008

**www.delixi-electric.com**

The first edition of this manual was issued in April 2019